

Technical service, lamps and tables for operating  
and treatment rooms

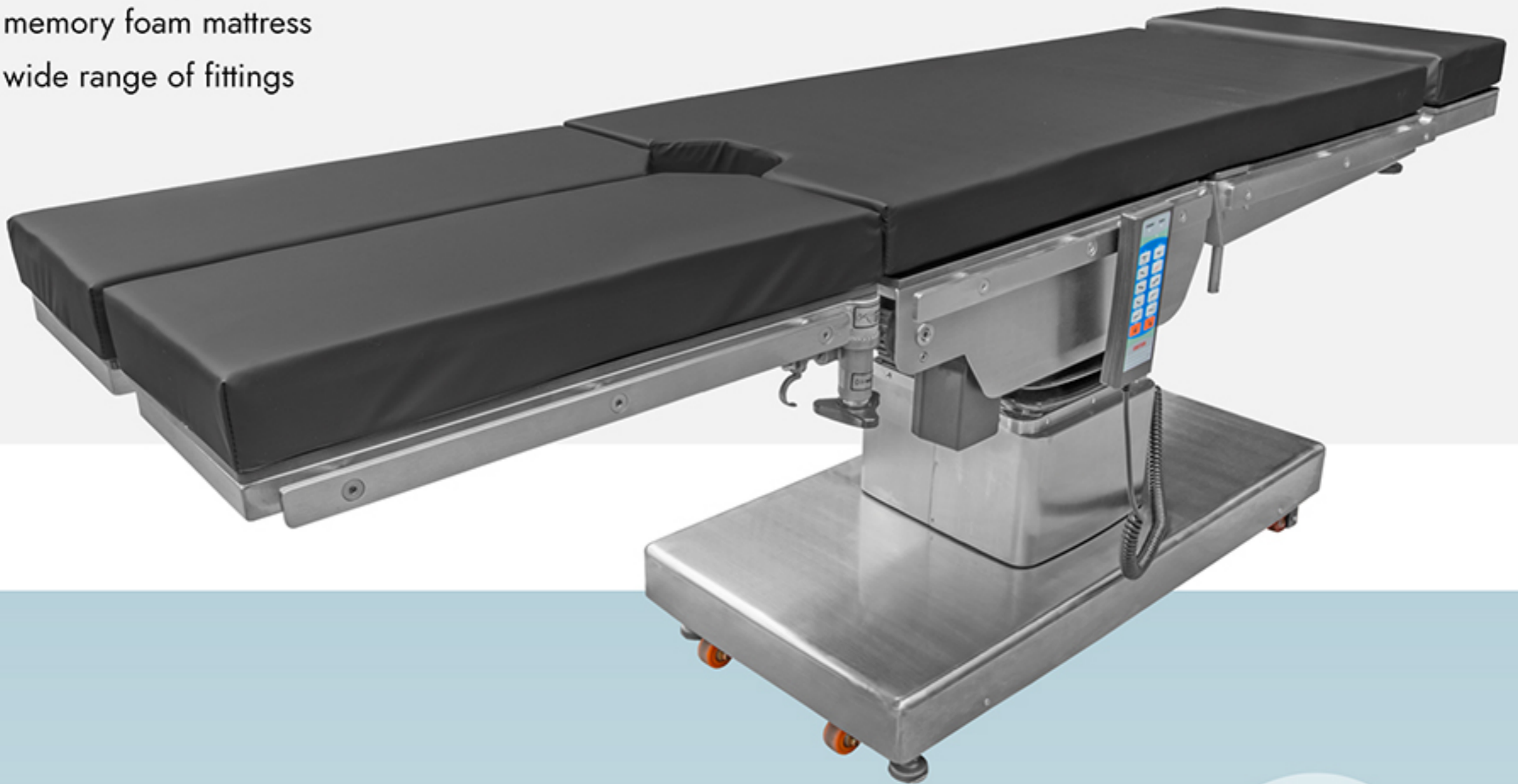


Operating theatre technical support

# An electric operating table

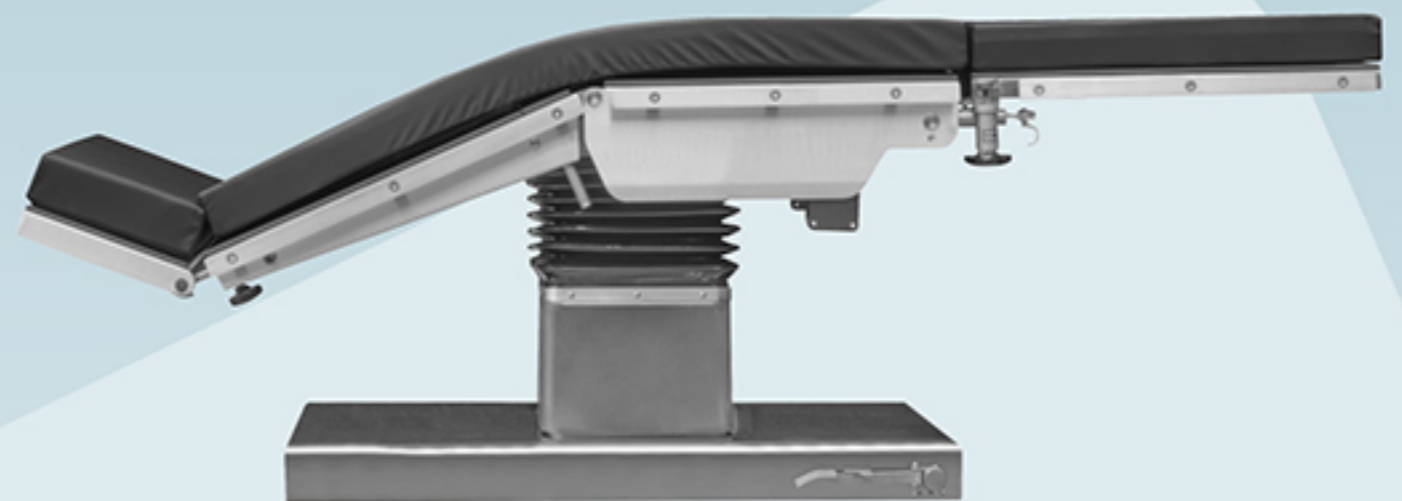
## Comfort

- ✓ all-purpose
- ✓ optimal quality-to-price ratio
- ✓ built-in battery
- ✓ memory foam mattress
- ✓ wide range of fittings



## Technical specifications

Height: 70 - 100 cm  
Length: 208 cm  
Width: 55 cm  
Allowed working load: 200 kg



COMFORT is an all-purpose stainless steel operating table with full electrical adjustment intended for any operations and procedures. It is used in surgical units, emergency units and cesarean section rooms. It is also suitable for private departments and esthetic medicine centers. COMFORT is valued for its wide range of standard fittings which include armrests, side positioners, footrests and a screen frame. The table has a built-in battery and specialized memory foam mattresses with bedsores prevention properties which significantly improve the patient's comfort. This highly practical table offers a wide range of adjustments including lumbar elevation and electrical longitudinal shift, which facilitates access to the patient and enables placing the patient in special body positions. The operating table can also be fitted with a heating mattress of a matching length, all kinds of procedure and multifunctional carts and the MAYO instrument trolley. Another great advantage of this table is the optimal quality-to-price ratio.

# Electrically adjustable mobile operating table

## Comfort plus

- ✓ uninterrupted work safety
- ✓ any position on one table top
- ✓ anti-bedsores protection



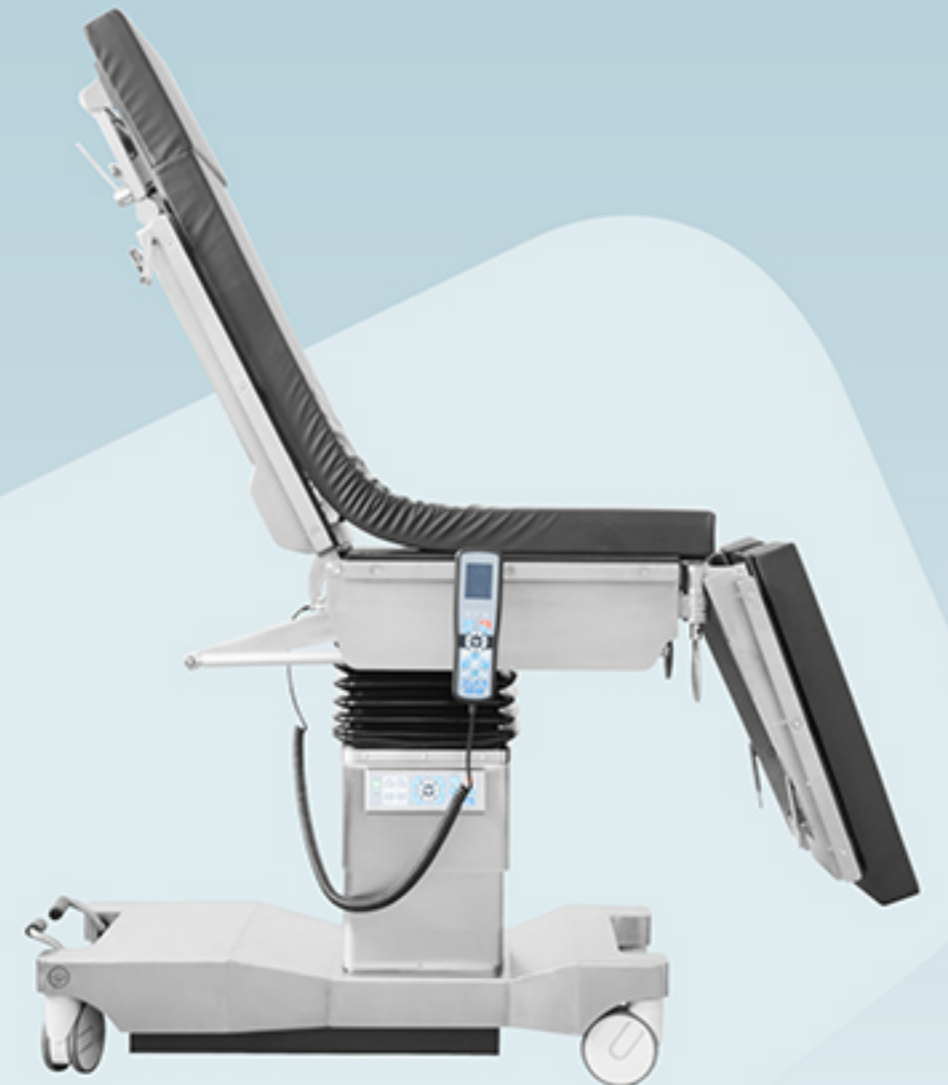
## Technical specifications

Height: 70 - 100 cm

Length: 210 cm

Width: 55 cm

Allowed working load: 250 kg



The new COMFORT PLUS operating table is fully electric and has a wide range of accessories. Large wheels will allow the patient to be transported to the desired location after the surgery. The multi-segment nature of the tabletop in various arrangement configurations allows for most surgical procedures, and specialized mattresses with anti-bedsores properties significantly improve the comfort and safety of patients.

# Treatment table

## Pro

- ✔ multifunctional
- ✔ remote control
- ✔ expandable
- ✔ available in many colors
- ✔ easy to disinfect



## Technical specifications

Height: 64 - 84 cm

Length: 190 cm

Width: 72 cm

Allowed working load: 180 kg

PRO is distinguished by its compact size, durable structure and wide adjustment range. Its ergonomic shape ensures both the medical staff and the patient comfort during procedures. The structure is made of powder-coated electroplated steel and covered with an antibacterial coating, which facilitates cleaning and disinfection after every procedure. The individual segments are lined with foam and covered with easily washable and nonallergenic upholstery made from ecological leather available in many colors. The table is easily handled using a wired remote control which offers electrical adjustment in four ranges: height, the back support segment, the leg segment and the Trendelenburg position. The standard product equipment includes two armrests, hand grips and a leg support which allow to adjust the patient's position to the requirements of various procedures. Built-in side rails allow for fitting the table with further necessary accessories.

# ENT chair

## Ent

- ✔ multifunctional
- ✔ effortlessly controlled by a remote control
- ✔ comfortable
- ✔ easy to disinfect
- ✔ available in many colors



## Technical specifications

Height: 64 - 84 cm

Length: 196 cm

Width: 75 cm

Allowed working load: 180 kg

The seat is characterized by multifunctionality and versatility combined with easy and effortless operation. Electric adjustment of the backrest, seat and leg segment is carried out by remote control. The chair can be successfully used for minor surgical procedures, because it folds completely into the form of a treatment table. ENT is equipped with comfortable armrests, adjustable headrest and upholstery available in a wide range of colors. The chair's structure is made of galvanized, powder-coated steel, coated with an antibacterial material, which enables easy cleaning and quick disinfection after each treatment.

# Surgical lamp

## Lexo 500

- ✓ very accurate tissue colour reproduction
- ✓ setting adapted to the room
- ✓ removable central handle
- ✓ easy to clean housin
- ✓ can be expanded with a camera and monitor

### Technical specifications

Diameter of light head: 50 cm  
Light intensity range: 50 - 160 klux  
Number of LEDs: 48  
Colour temperature: 3 700 - 6 700 K

The lamp is compact and offers a wide range of adjustments (light intensity, colour temperature, light field diameter) and is adapted to laminar flow air supply. It works equally well in large operating rooms, as well as small treatment rooms. The dome is equipped with 48 LEDs and suspended on an arm with adjustment in three planes, which makes it possible to adapt the lamp's position to current needs. Operation of the lamp is simple and intuitive. The light intensity can be adjusted in the 50 000 lux to 160 000 lux range. Thanks to the high colour rendering index, great light depth and precise red colour rendering, which enables faultless recognition of diseased tissues, it can be used during the most demanding operations. Endoscopic lighting useful in endoscopic and laparoscopic surgery is another convenient feature.

LEXO 500 has a straightforward structure, perfect for cleaning and disinfection. The dome's dual-function (also used for focusing), centrally mounted handle can be sterilised. Side handles located on the perimeter of the dome and at the control panel allow precise positioning of the lamp in the required position.

# Two dome shadowless surgical lamp



## Lexo Duo

- ✓ very accurate tissue colour reproduction
- ✓ each dome adjusted separately
- ✓ removable central handle
- ✓ easy to clean housing
- ✓ can be expanded with camera and monitor

### Technical specifications

Diameter of main light head: 70 cm  
Diameter of satellite head: 50 cm  
Light intensity range (main head): 60 - 200 klux  
Light intensity range (satellite head): 50 - 160 klux  
Number of LEDs (main head): 80  
Number of LEDs (satellite head): 48  
Colour temperature: 3 700 - 6 700 K

The lamp's advantage is its large range of functional (light intensity, colour temperature, light field diameter) and position adjustments – separately for each dome. The domes are suspended on an arm with three planes of adjustment, which makes it possible to adapt the lamp's position to current needs. The lamp is also adapted for laminar flow air supply.

Thanks to the high colour rendering index, great light depth and precise red colour rendering, which enables faultless recognition of diseased tissues, the LEXO DUO can be used during the most demanding operations. Endoscopic lighting useful in endoscopic and laparoscopic surgery is another convenient feature.

The main dome is equipped with 80 LEDs, while the secondary dome with 48 LEDs. The light intensity can be adjusted up to 200 000 lux (main luminaire) and up to 160 000 lux (auxiliary luminaire). The dome's dual-function (also used for focusing), centrally mounted handle can be sterilised. Both domes have individual control panels and side handles allowing easy manoeuvring, which make proper light distribution and precise lighting of the working area possible.

The lamp's value for money is a great advantage.



# Mobile LED surgical lamp

## Ledo Mobil

- ✓ adjustable light intensity
- ✓ removable handle
- ✓ easy to clean housing
- ✓ mounted on a stable mobile tripod
- ✓ option with battery



### Technical specifications

Diameter of light head: 23 cm  
Light intensity range: 20 - 60 klux  
Number of LEDs: 12  
Colour temperature: 4 500 K

LEDO Mobil is a mobile LED surgical lamp, shadowless, with light intensity regulation and a mobile tripod mounting option. The model is universal – it can be used in any surgery, diagnostic room, as well as in cosmetic and veterinary offices.

LEDO is a universal shadowless treatment lamp meant for all treatment rooms, even small volume ones. Thanks to its ergonomic size, mobile tripod mounting and a long arm with three plane adjustment, the model can be adapted to almost any conditions and needs.

The lamp is equipped with 12 white light LEDs. The light intensity can be adjusted from 20 000 lux to 60 000 lux. Operation of the lamp is simple and intuitive.

LEDO has a monolithic structure perfect for cleaning and disinfection. The removable handle can be sterilised.



# LED treatment lamp

## Ledo

- ✔ adjustable light intensity
- ✔ removable handle
- ✔ easy to clean housing
- ✔ option with battery
- ✔ mounting adapted to the room



### Technical specifications

Diameter of light head: 23 cm  
Light intensity range: 20 - 60 klux  
Number of LEDs: 12  
Colour temperature: 4 500 K

LEDO is a universal shadowless treatment lamp meant for all treatment rooms, even small volume ones. Thanks to the options of mounting on a wall, ceiling or a mobile tripod, this light source can be adapted to almost any conditions. It should be noted that ceiling mounting does not require any reinforcements to the ceiling.

The lamp is equipped with 12 white light LEDs. The light intensity can be adjusted from 20 000 lux to 60 000 lux. The dome is suspended on an arm with three planes of adjustment, which makes it possible to adapt the lamp's position to current needs. Operation of the lamp is simple and intuitive.

LEDO has a monolithic structure perfect for cleaning and disinfection. The removable handle can be sterilised.

# ETERNAL patient warming mattress

## Eternal

- ✓ contact warming to minimize heat loss
- ✓ silent operation
- ✓ bedsore prevention and X-ray translucency
- ✓ maintains the set temperature
- ✓ various sizes available



## Technical specifications

Temperature range: 33°C - 39°C

Mattress length: 190 cm

Mattress width: 52 cm

The ETERNAL warming system with a warming mattress was designed for operating rooms and treatment rooms. It is used to prevent inadvertent perioperative hypothermia and support the patient if the hypothermia develops.

ETERNAL is a system which consists of a control unit and a warming mattress spread directly on an operating table. In accordance with the regulations in force, it is used in operating theaters and treatment rooms. It is also applied during plastic surgery procedures.

Unlike convection heating systems, ETERNAL is silent and warms only the patient, without emitting heat into the surroundings. It provides even warming on the entire surface of contact between the mattress and the patient's body. It also prevents bedsores and is translucent to X-rays.

# Flow heater

## Sino

- ✓ simple to use
- ✓ compact size and low weight
- ✓ cost-free maintenance
- ✓ large, clear display
- ✓ quick work



### Technical specifications

Height: 17,8 cm  
Length: 7,7 cm  
Width: 3,7 cm  
Weight: 1 kg

The heater is simple to use and ensures low-cost maintenance. It does not require any consumables such as heating inserts — simply put a drain inside and set the heating temperature. It is also highly efficient: it works in a continuous operation mode and reaches the required temperature in a short time.

The small size and a special holder allow the device to be mounted easily on an IV drip hanger or in another convenient spot near the patient.

The SINO heater is useful in every hospital ward, including emergency wards and intensive care units.



**e-surgical**

c/o Fastax Ltd 4 Studio Court Queensway Bletchley MK42 0LX

Mobile No: 07541504795

[www.e-surgical.com](http://www.e-surgical.com)